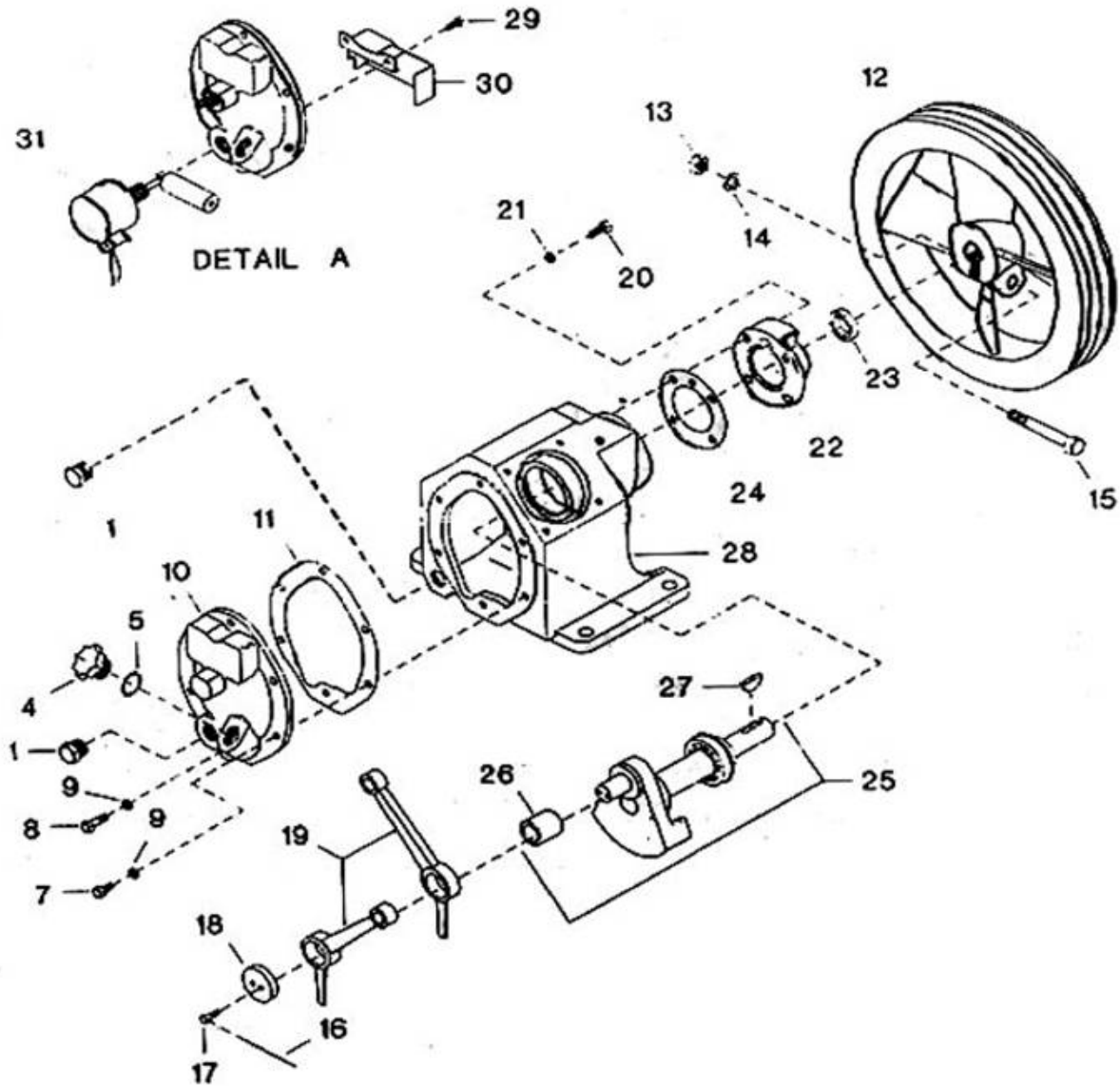


2. Compressor Frame Assembly - Model 234



All manufacturer's names, numbers, photos, product description and/or part numbers are used for reference purposes only & it is not implied that any part listed is the product of these manufacturers. Since Approvement are made from time to time, the illustration and specifications are subject to change without notice.

2. Compressor Frame Assembly - Model 234

Ref. No.	Part Number	Description	Unit Per Assly.	Rec. Spares		
				1	2	3
2-1	95344651	Plug Pipe Hex Head 1/2"	2			
2-4	37127065	Plug Oil Filler	1			
2-5	95022158	* "O" Ring	1	1	1	2
2-7	95227302	Capscrew Hex	5			
2-8	95079984	Capscrew Hex	1			
2-9	95674651	Gasket - Copper Washer	6			
2-10	37127123	Cover, frame end	1			
2-11	30299226	Gasket, frame end cover	1	1	1	2
2-12	30212906	Wheel, V-Belt	1			
2-13	95077798	* Nut - Hex	1			
2-14	95716890	Lockwasher, spring	1			
2-15	95053682	*Capscrew Hex	1			
2-16	90799289	Lockwire	1			
2-17	95044111	Capscrew Hex	2			
2-18	30210314	Cap, crankpin	1			
2-19	32004145	Rod, Connecting	2		2	2
2-20	95227302	Capscrew Hex	4			
2-21	95674651	Gasket-cooper washer	4			
2-22	37127032	Cover, Shaft End	1			
2-23	32204521	Seal, Oil	1		1	2
2-24	30295034	Gasket, shaft end cover	1	1	1	2
2-25	30211577	Crankshaft complete	1			
2-26	30289813	*Bushing, crankpin	1			
2-27	95433173	*Key, woodruff	1			
2-28	30222327	Frame Compressor	1			
		Optional - Detail - 'A'				
2-29	95311650	Capscrew Hex	2			
2-30	30285605	Baffle, Low Oil Level Switch	1			
2-31	37046448	Switch, low Oil level	1			